

## CG-14 Corner Guard

### Features:

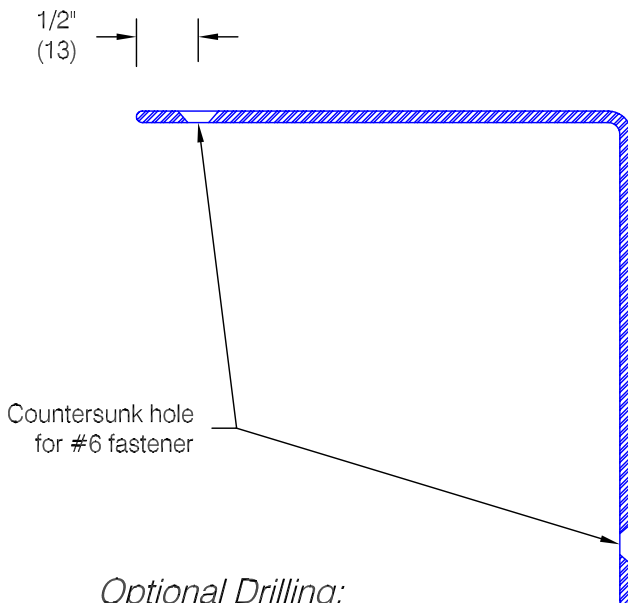
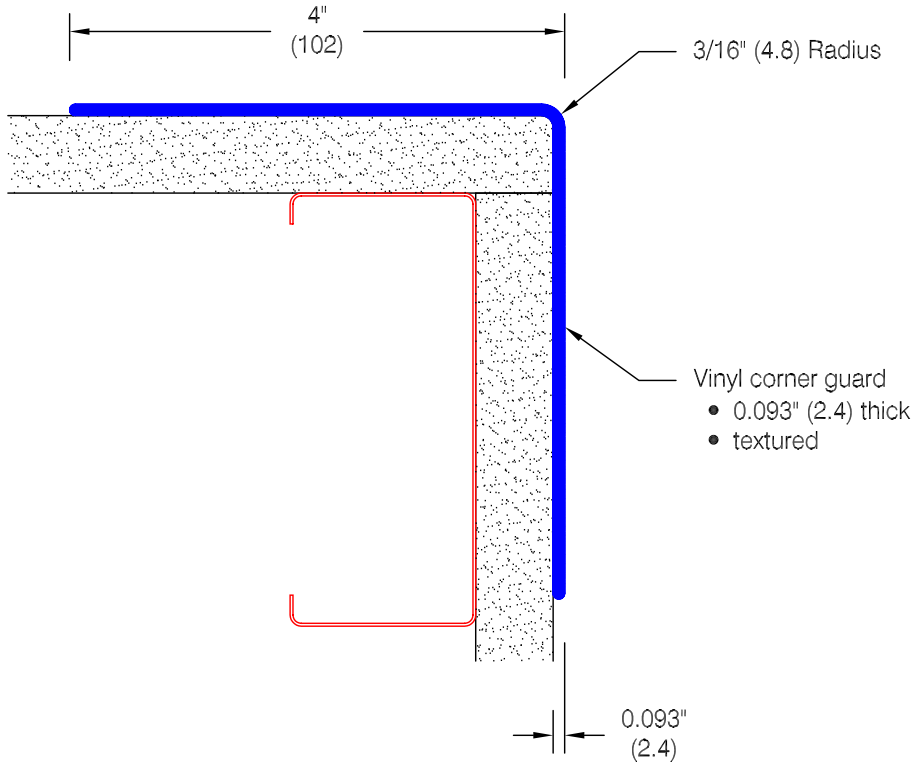
- Class A fire rating
- Stock lengths:  
 4'-0" (1219), 8'-0" (2438) & 12'-0" (3658)

### Finishes:

- Manufacturer's standard colors
- Custom colors available

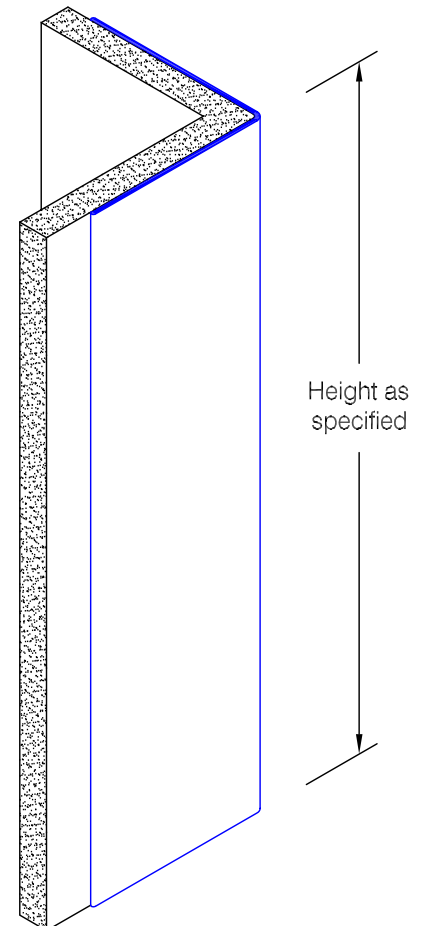
### Mounting Options:

- Adhesive  
 ADH-30 adhesive supplied separately
- Drilled  
 Countersunk holes for #6 fastener  
 ABSS-134 #6 x 1 1/2" oval head  
 sheet metal screw supplied  
 separately as required
- Taped  
 ADH-4042 double sided adhesive  
 tape factory applied to corner guard



### Optional Drilling:

- Standard spacing: 1" (25) from each end and spaced evenly not to exceed 36" (914) oc



Customer :

Project :

Architect :

Sales Rep :

WD.112.0a