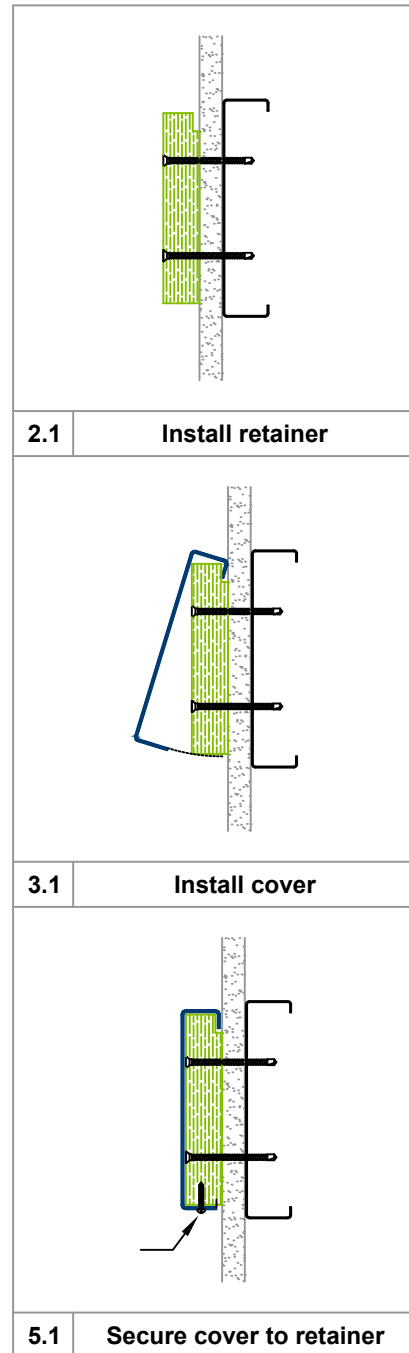


Stainless Steel Crash Rail with Wood Retainer

Installation Instructions

1. Set a laser or chalk line at the desired height. Measure and mark the end points of the crash rail on the wall. Allow at least 2 inches clearance from inside corners and at least 1 inch clearance from all other terminations to allow for end plate attachment.
2. Measure and cut the retainer and cover sections to length for each segment. Take into account the thickness of the end plates. Dry fit the cut lengths on the wall to ensure proper installation. Clean field-cut edges on the crash rail covers as necessary.
3. Fasten continuous wood retainer to the wall, hitting studs or continuous backing if possible (see figure 2.1). Fasteners should be spaced no more than 32 inches on center and within 3 inches from each end.
4. Install the crash rail covers by sliding the top lip of the cover into the back groove of the wood retainer (see figure 3.1). Rotate downward until the cover is tight on the retainer. If splices are necessary, make sure to offset the retainer splices from the cover splices to ensure a cleaner installation.
5. Secure the crash rail cover to the continuous retainer through the bottom side (see figure 5.1). Drill holes if necessary. Follow the same hole spacing as the wood retainer.
6. Dry fit the end plates to each end of the crash rail and allow for equal overlap on all sides. Mark holes for attachment screws and drill pilot holes in the wood retainer. Attach the end plates (see figure 6.1).

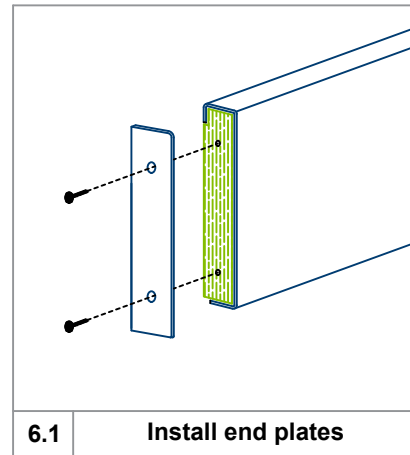


DISCLAIMER: Please read all instructions before beginning installation. These guidelines are provided in good faith to help prevent any problems caused by errors in installation. The manufacturer of this product shall not be held responsible for installation actions taken or not taken. There are many details of installation that are assumed to be general construction knowledge to experienced installers; which are not included in these instructions. These installation guidelines are intended to be strictly recommendations and are not to serve as a step-by-step, fail-safe installation checklist. Selection of an experienced installer is the sole responsibility of the project owner and architect. Protek Systems, Inc. does not accept any responsibility for job failure resulting from or associated with improper site environmental conditions and installation failure due to expansion contraction issues.

Stainless Steel Crash Rail with Wood Retainer

Important

1. Acclimate materials to the installation environment for 24 hours prior to installation. Maintain a temperature controlled environment during and after installation.
2. To cut the material, use a metal chop saw with abrasive cut-off wheel. De-burr cut edges with a file or flap disk. If there are any surface burns, remove with scotch-brite pad.
3. To drill the material, use a good quality high-speed steel bit and a variable drill with good torque. For anything larger than a 1/8-inch hole, use a step drill bit. Use lubricant and clamp the item securely. Use a punch and hammer to make a dimple where the hole is to be drilled. This will keep the drill bit from wandering.



DISCLAIMER: Please read all instructions before beginning installation. These guidelines are provided in good faith to help prevent any problems caused by errors in installation. The manufacturer of this product shall not be held responsible for installation actions taken or not taken. There are many details of installation that are assumed to be general construction knowledge to experienced installers; which are not included in these instructions. These installation guidelines are intended to be strictly recommendations and are not to serve as a step-by-step, fail-safe installation checklist. Selection of an experienced installer is the sole responsibility of the project owner and architect. Protek Systems, Inc. does not accept any responsibility for job failure resulting from or associated with improper site environmental conditions and installation failure due to expansion contraction issues.