

# ProTek Systems, Inc.

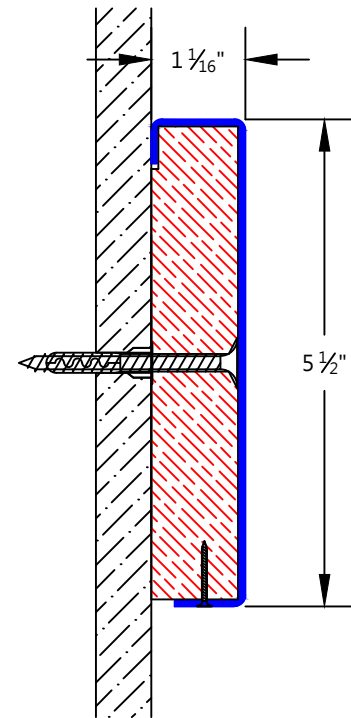
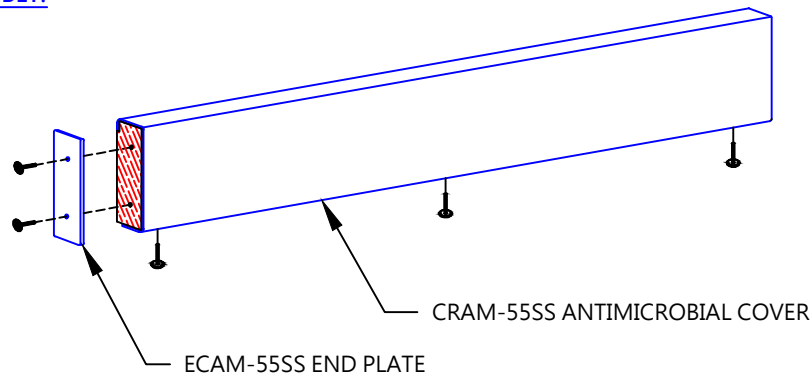
PROTEK SYSTEMS, INC.  
1250 WALLACE DR UNIT B  
DELRAY BEACH, FL 33444  
TELEPHONE: 800-598-2153  
FAX: 561-395-4771  
SALES@PROTEKMAIL.COM

## CRAM-55SS ANTIMICROBIAL WALL GUARD

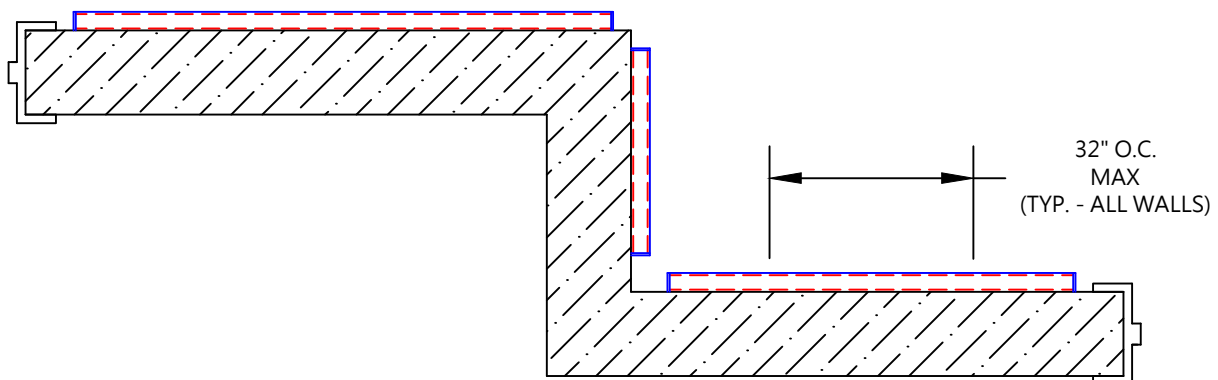
### FEATURES:

- COVER: ALLOY 5052-H32 .063" ALUMINUM WITH ANTIMICROBIAL POWDER COAT FINISH
- END PLATES: ALLOY 5052-H32 .125" ALUMINUM WITH ANTIMICROBIAL POWDER COAT FINISH
- RETAINER: WOOD
- STOCK LENGTHS: 8FT OR 10FT
- ALL RUNS TERMINATE WITH END PLATES
- CUSTOM LENGTHS AND HEIGHTS AVAILABLE
- OTHER FINISHES AVAILABLE
- FASTENERS BY OTHERS

### ASSEMBLY:



### STANDARD PLAN DETAIL:



CUSTOMER:

PROJECT:

ARCHITECT:

SALES REP:

# CRAM-55SS