

ProTek Systems, Inc.

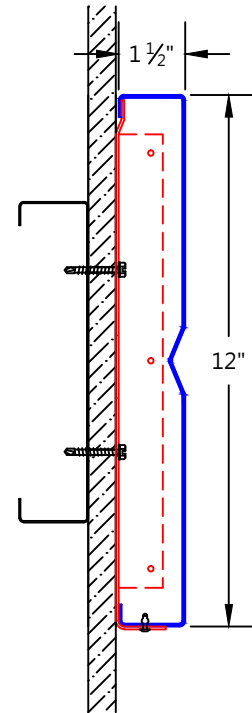
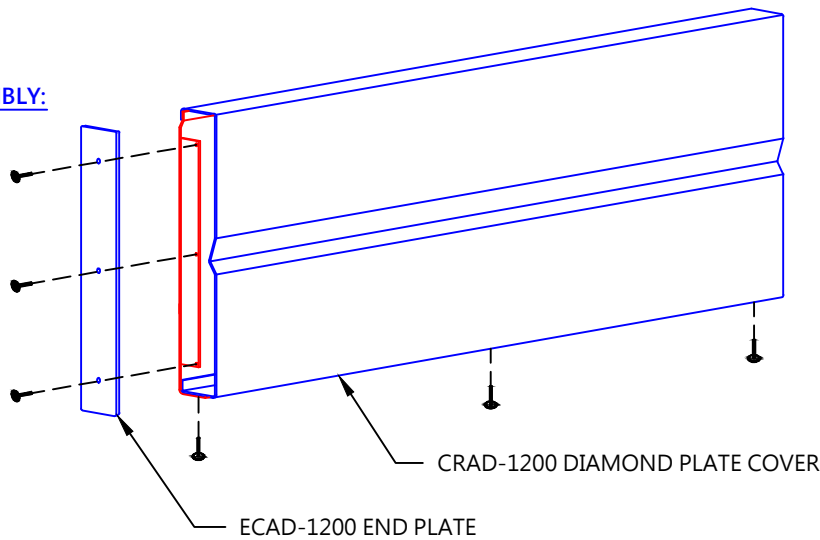
PROTEK SYSTEMS, INC.
 1250 WALLACE DR UNIT B
 DELRAY BEACH, FL 33444
 TELEPHONE: 800-598-2153
 FAX: 561-395-4771
 SALES@PROTEKMAIL.COM

CRAD-1200 ALUMINUM DIAMOND PLATE WALL GUARD

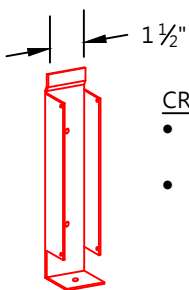
FEATURES:

- COVER: 1/8" GRADE 3003 BRIGHT FINISH ALUMINUM DIAMOND PLATE
- END PLATES: 1/8" GRADE 3003 BRIGHT FINISH ALUMINUM DIAMOND PLATE
- BRACKETS: 16 GAUGE TYPE 304 #4 SATIN STAINLESS STEEL
- STOCK LENGTHS: 8FT OR 10FT
- ALL RUNS TERMINATE WITH END PLATES
- END PLATES FASTEN DIRECTLY TO WALL BRACKETS
- CUSTOM LENGTHS AND HEIGHTS AVAILABLE
- OTHER FINISHES AVAILABLE
- WALL FASTENERS BY OTHERS

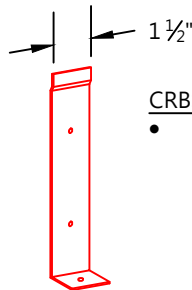
ASSEMBLY:



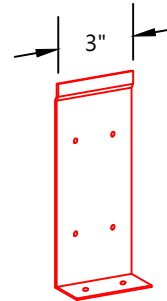
STANDARD BRACKET OPTIONS:



- CRBSE-1200 BRACKET**
- SECURES CRAD-1200 COVER TO WALL
 - WINGS ALLOW FOR END PLATE ATTACHMENT



- CRBS-1200 BRACKET**
- SECURES CRAD-1200 COVER TO WALL



- SPL-1200 SPLICE**
- SECURES CRAD-1200 COVER TO WALL
 - TO BE USED AT SEAMS WHERE CRAD-1200 COVERS MEET

CUSTOMER:

PROJECT:

ARCHITECT:

SALES REP:

CRAD-1200