

# ProTek Systems, Inc.

PROTEK SYSTEMS, INC.  
2799 N.W. 2ND AVE  
BOCA RATON, FL 33431  
TELEPHONE: 800-598-2153  
FAX: 561-395-4771  
SALES@PROTEKMAIL.COM

## DDFC-60 DECORATIVE ALUMINUM DOOR FRAME COVER

### FEATURES:

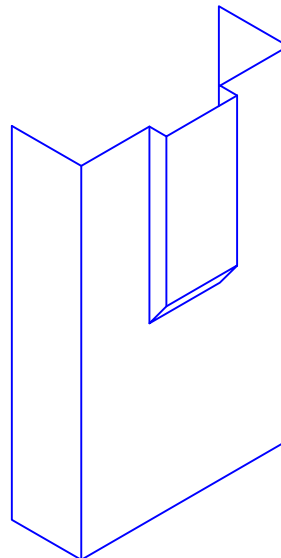
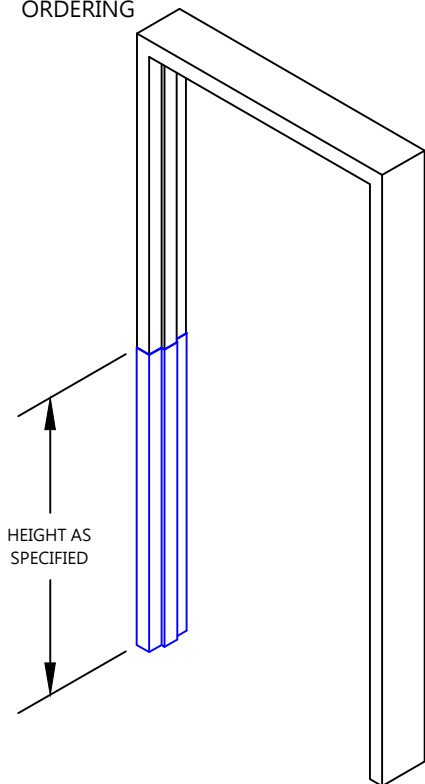
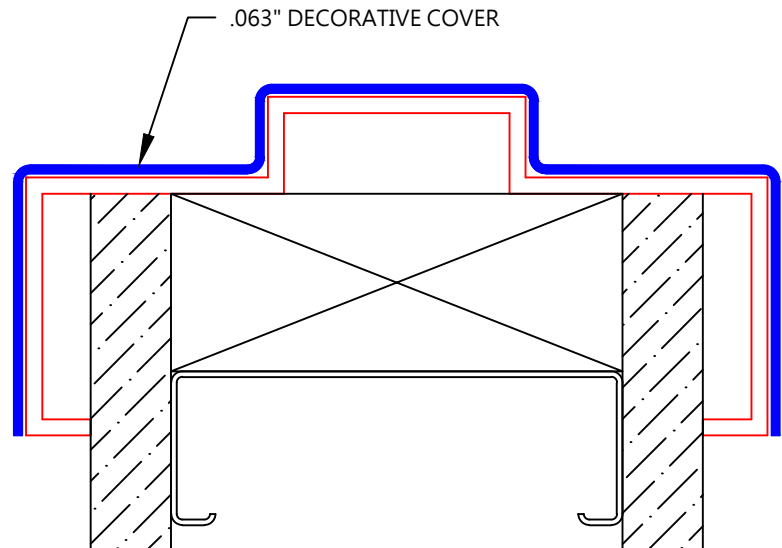
- ALLOY 5052-H32 .063" ALUMINUM WITH DECORATIVE POWDER COAT FINISH
- FABRICATED TO CUSTOM MEASUREMENTS
- CUT OUTS FOR HINGES AND STRIKES AVAILABLE
- HOSPITAL STOP OPTION AVAILABLE

### DECORATIVE OPTIONS:

- WOOD GRAIN
- MARBLE
- GRANITE
- PHOTOWALL

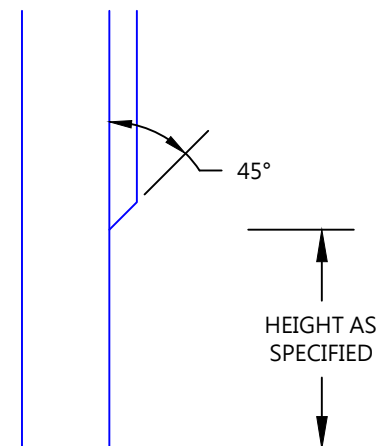
### MOUNTING OPTIONS:

- ADHESIVE:
  - ADH-50 CONSTRUCTION ADHESIVE (SUPPLIED SEPARATELY AS REQUIRED)
- DRILLED:
  - SPECIFY DRILLING REQUIREMENTS WHEN ORDERING



### OPTIONAL HOSPITAL STOP:

- SPECIFY REQUIREMENTS WHEN ORDERING



REV. 10/15/2012

CUSTOMER:

PROJECT:

ARCHITECT:

SALES REP:

# DDFC-60