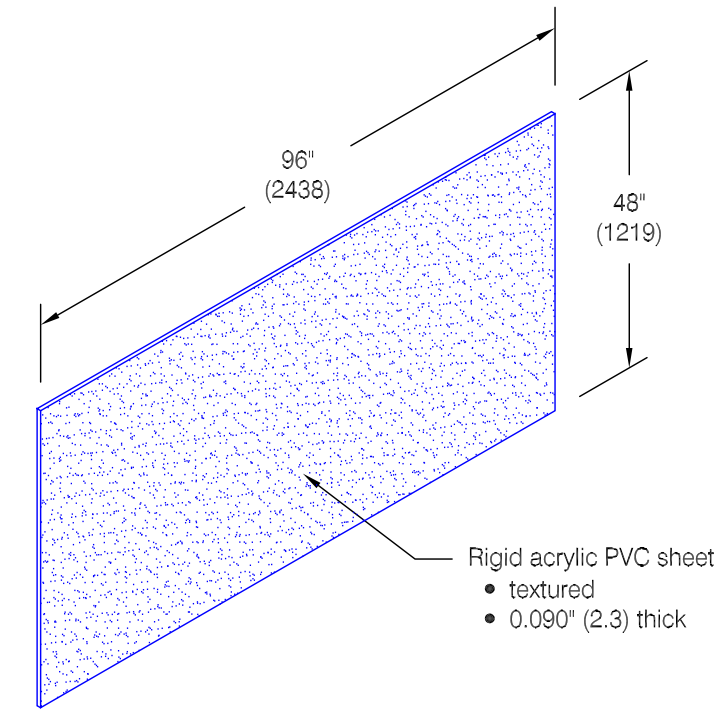


WC-90 Wall Covering



Features:

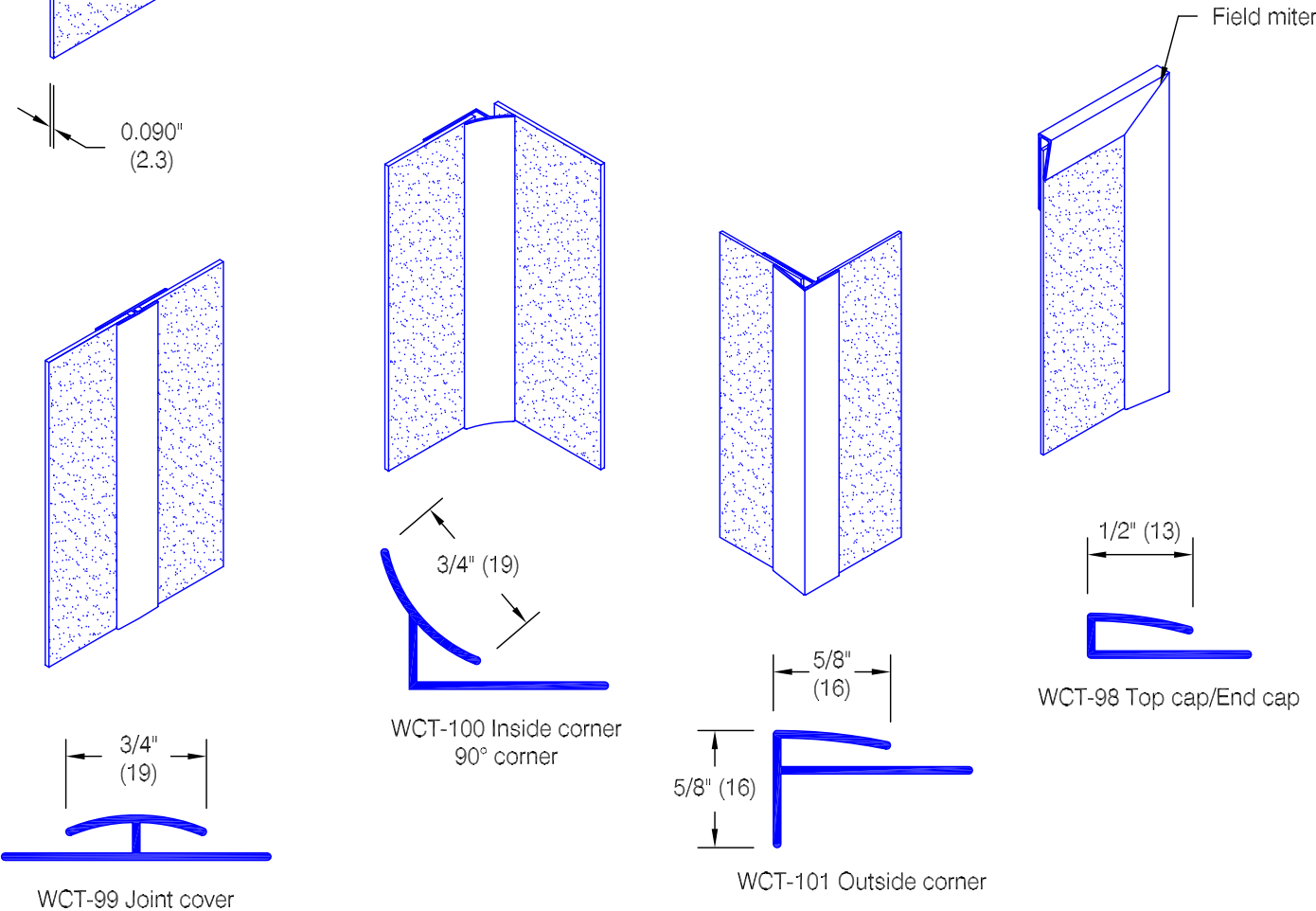
- Heavier gauges available
- Stock size 4'-0" (1219) x 8'-0" (2438) sheets
- Custom sizes are available (minimums apply)

Finishes:

- Manufacturer's standard colors
- Custom colors available

Mounting Options:

- Adhesive
 ADH-30 adhesive supplied separately



Customer :	Project :	WD.67.0b
Architect :	Sales Rep :	