

# ProTek Systems, Inc.

PROTEK SYSTEMS, INC.  
1250 WALLACE DR UNIT B  
DELRAY BEACH, FL 33444  
TELEPHONE: 800-598-2153  
FAX: 561-395-4771  
SALES@PROTEKMAIL.COM

## WPSC-12 COLORED STAINLESS STEEL WALL SYSTEM

### FEATURES:

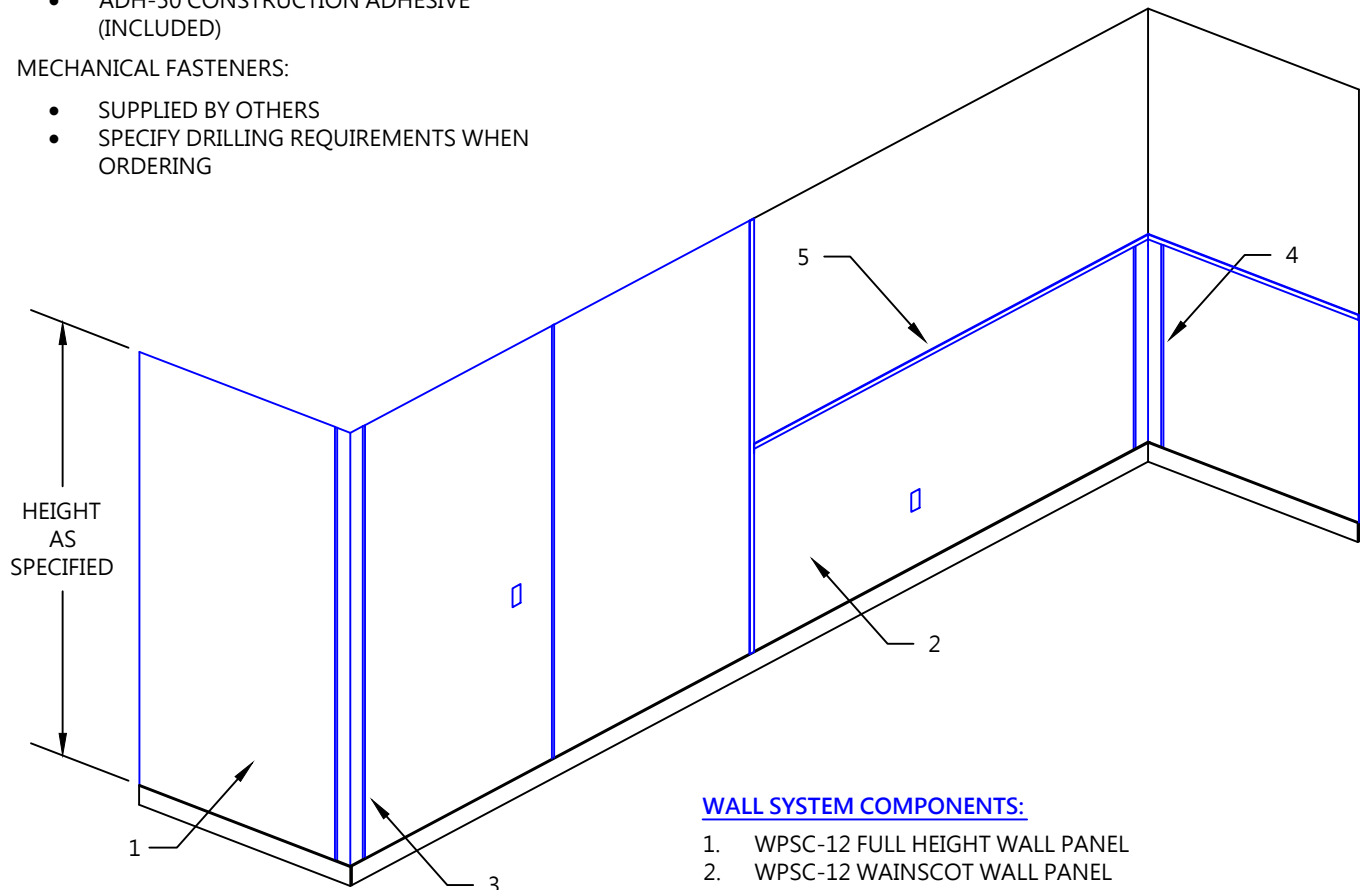
- TYPE 304 #4 SATIN COLORED STAINLESS STEEL
- WAINSCOT OR FULL HEIGHT INSTALLATION
- OVERLAPPING SEAMS WITH 1/2" OFFSET CONSTRUCTION
- CUSTOM HEIGHTS AND ANGLES AVAILABLE
- OTHER GRADES AND FINISHES AVAILABLE

### TYPICAL WALL PANEL SIZES:

- 36" X 96"
- 36" X 120"
- 36" X 144"
- 48" X 96"
- 48" X 120"
- 48" X 144"

### MOUNTING OPTIONS:

- ADHESIVE:
  - ADH-50 CONSTRUCTION ADHESIVE (INCLUDED)
- MECHANICAL FASTENERS:
  - SUPPLIED BY OTHERS
  - SPECIFY DRILLING REQUIREMENTS WHEN ORDERING



### WALL SYSTEM COMPONENTS:

1. WPSC-12 FULL HEIGHT WALL PANEL
2. WPSC-12 WAINSCOT WALL PANEL
3. WPSC-12-OCG-50 OUTSIDE CORNER
4. WPSC-12-ICG-50 INSIDE CORNER
5. WPS-12-EB-1 EDGE BAR

CUSTOMER:

PROJECT:

ARCHITECT:

SALES REP:

# WPSC-12

# ProTek Systems, Inc.

PROTEK SYSTEMS, INC.  
 1250 WALLACE DR UNIT B  
 DELRAY BEACH, FL 33444  
 TELEPHONE: 800-598-2153  
 FAX: 561-395-4771  
 SALES@PROTEKMAIL.COM

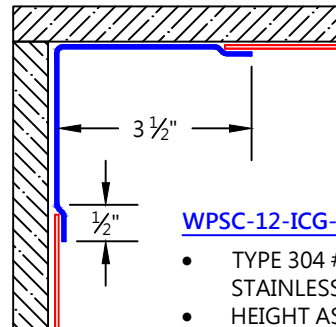
## WPSC-12 COLORED STAINLESS STEEL WALL SYSTEM

### FEATURES:

- TYPE 304 #4 SATIN COLORED STAINLESS STEEL
- WAINSCOT OR FULL HEIGHT INSTALLATION
- OVERLAPPING SEAMS WITH 1/2" OFFSET CONSTRUCTION
- CUSTOM HEIGHTS AND ANGLES AVAILABLE
- OTHER GRADES AND FINISHES AVAILABLE

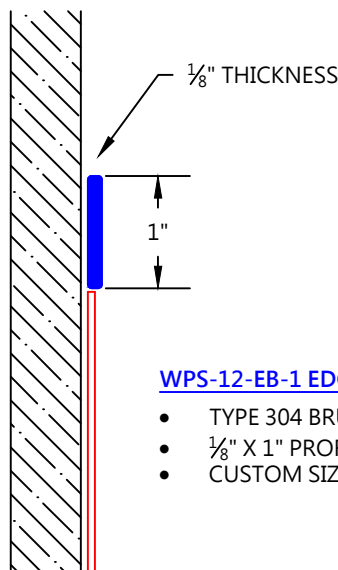
### MOUNTING OPTIONS:

- ADHESIVE:
  - ADH-50 CONSTRUCTION ADHESIVE (INCLUDED)
- MECHANICAL FASTENERS:
  - SUPPLIED BY OTHERS
  - SPECIFY DRILLING REQUIREMENTS WHEN ORDERING



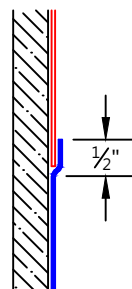
### WPSC-12-ICG-50 INSIDE CORNER:

- TYPE 304 #4 SATIN COLORED STAINLESS STEEL
- HEIGHT AS SPECIFIED
- 3 1/2" WING SIZE
- CUSTOM WINGS SIZES AVAILABLE
- CUSTOM ANGLES AVAILABLE



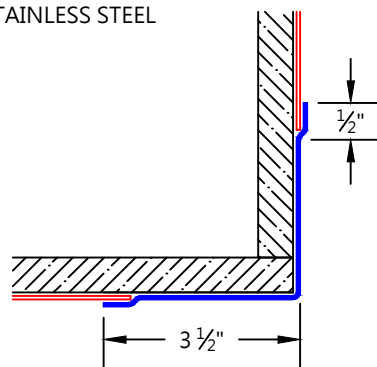
### WPS-12-EB-1 EDGE BAR:

- TYPE 304 BRUSHED FINISH STAINLESS STEEL
- 1/8" X 1" PROFILE
- CUSTOM SIZES AVAILABLE



### OVERLAPPING SEAMS:

- 1/2" OFFSET CONSTRUCTION
- ON (1) VERTICAL EDGE OF WAINSCOT OR FULL HEIGHT WALL PANEL



### WPSC-12-OCG-50 OUTSIDE CORNER:

- TYPE 304 #4 SATIN COLORED STAINLESS STEEL
- HEIGHT AS SPECIFIED
- 3 1/2" WING SIZE
- CUSTOM WINGS SIZES AVAILABLE
- CUSTOM ANGLES AVAILABLE

CUSTOMER:

PROJECT:

ARCHITECT:

SALES REP:

**WPSC-12**